



FUEL MANAGEMENT SYSTEMS



DISPENSERS



KITS



PUMPS



METERS



NOZZLES

A60 / A80 / A120 / A140

FEATURES

- AUTOMATIC
- READY TO USE
- STURDY DESIGN

Among the range of nozzles for fuel dispensing, PIUSI A60/A80/A120/A140 consist of a range of automatic devices for flow rates up to 140 l/min fitted with an inner device that automatically stops the fluid dispensing when the tank is full. These nozzles also include a swivel connector.

PERFORMANCE

UP TO 140 L/MIN	1" BSP
FLOW RATE	INLET
A60 24MM	A80/A120/A140 29MM
SPOUT	SPOUT



A60



A80



A120



A140



PACKAGING

CODE		WEIGHT		PACKAGING			BOXES/EUROPALLET	
WITHOUT SWIVEL	WITH SWIVEL	KG	LBS	MM	INCH	PCS/BOX		
A60								
-	FOO603060	1,25	2,76	36OX36OX280	14X14X11	1	-	-
-	FOO602020	1,20	2,65	36OX36OX280	14X14X11	1	-	-
-	FOO613A00	1,30	2,87	36OX36OX280	14X14X11	1	-	-
-	FOO870010	1,70	3,74	36OX36OX280	14X14X11	1	-	-
A80								
-	FOO604030	1,93	4,25	36OX36OX280	14X14X11	1	-	-
A120								
-	FOO610020	1,93	4,25	36OX36OX280	14X14X11	1	-	-
-	FOO614A00	1,65	3,64	36OX36OX280	14X14X11	1	-	-
A140								
FOO610200	-	2,00	4,41	46OX200X80	181X78X31	1	-	-



FILTRATION



TANK MONITORING



HOSE REEL



ACCESSORIES



MERCHANDISE



AIR



ANTIFREEZE



AdBlue®



BIODIESEL



DIESEL



FOOD



GASOLINE



GREASE



KEROSENE



OIL

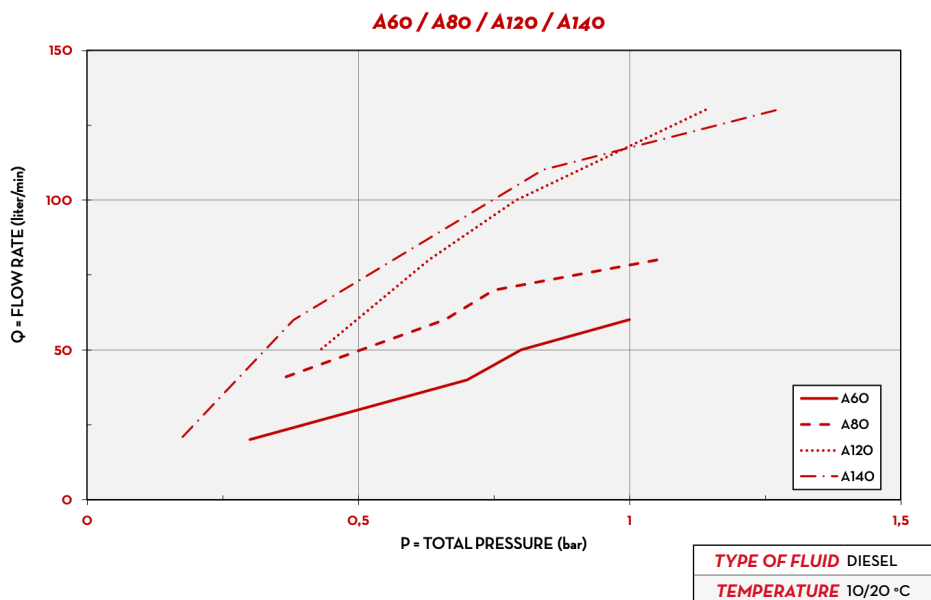


WATER



WINDSCREEN

CHART



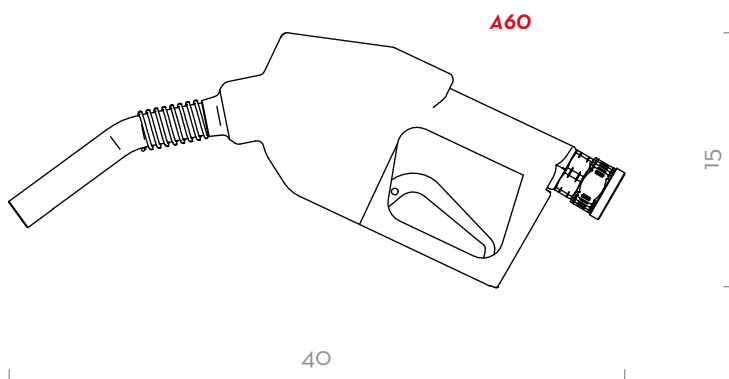
IN THE BOX

- A60/A80/A120/A140 NOZZLE

DETAILS



DIMENSIONS



Dimensions expressed in millimeters

MATERIALS

- BODY: ALUMINIUM
- SEAL: VITON

TECHNICAL DATA

CODE		DESCRIPTION	FLUIDS TYPE	FLOW RATE		INLET		SPOUT
WITHOUT SWIVEL	WITH SWIVEL			L/MIN	GPM	WITHOUT SWIVEL BSP	WITH SWIVEL BSP	EXT. Ø MM
A60								
-	FO0603060	AUTOMATIC NOZZLE A60 W/SWIVEL 3/4" BSP	D G	60	16	F3/4"	F1"	20
-	FO0602020	AUTO NOZZLE A60 W/SWIVEL 3/4" UNLEADED	D G	60	16	F3/4"	F1"	20
-	FO0613A00	AUTO NOZZLE A60 EN 13012 W/SWIVEL 3/4"	D	70	19	F3/4"	F1"	24
-	FO0870010	AUTOMATIC NOZZLE A60 W/K24 METER BLACK	D	70	19	-	F1"	24
A80								
-	FO0604030	AUTOMATIC NOZZLE A80 W/SWIVEL 1" BSP	D G	90	24	-	F1"	29
A120								
-	FO0610020	AUTOMATIC NOZZLE A120 W/SWIVEL 1" BSP	D G	120	32	-	F1"	29
-	FO0614A00	AUTO NOZZLE A120 EN 13012 W/SWIVEL 1"	D	120	32	-	F1"	29
A140								
-	FO0610200	AUTOMATIC NOZZLE A140 W/SWIVEL 1" BSP	D	140	37	-	F1"	29

A60 / A80 / A120 / A140