



Clean water



Domestic use



Industrial use



Agricultural use

INSTALLATION AND USE

Designed for pumping diesel/naphtha and clean water free from abrasive particles and non-corrosive liquids that do not harm the pump's components.

Their specific operating mechanism makes them an excellent solution when a compact self-priming pump is required or when the flow of the liquid is irregular or mixed with air.

APPLICATION LIMITS

- Suction head up to **9 m (HS)**
- Liquid temperature between **-10 °C** and **+90 °C**
- Ambient temperature up to **+40 °C**
- Maximum working pressure **6 bar**

AVAILABLE UPON REQUEST

- ✘ Mechanical seal options available
- ✘ Specific voltages
- ✘ Protection rating: IP 55

PATENTS - TRADE MARKS - MODELS

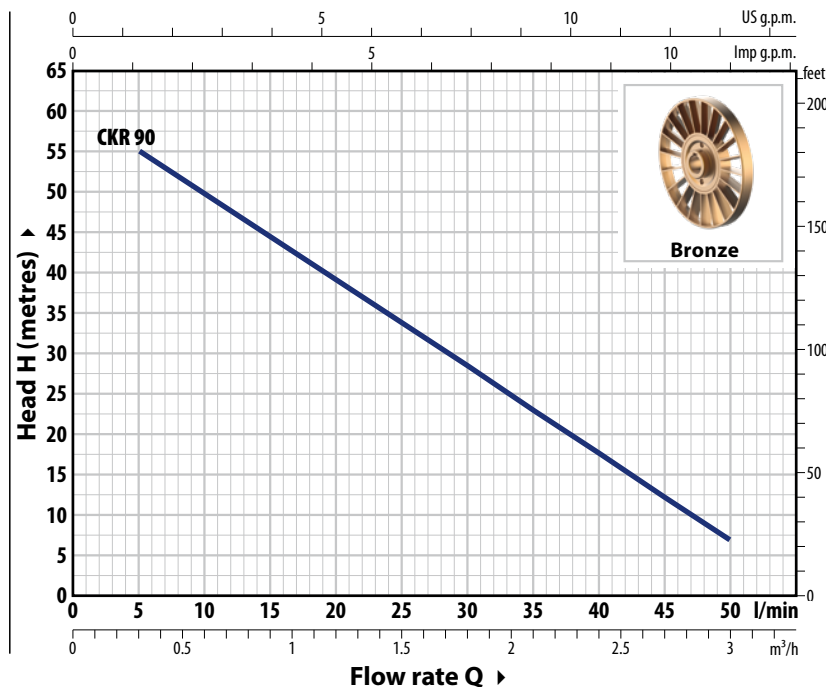
- Motor bracket: Patent No. IT1243605



✘ With double anti-lock front scraping

CURVES AND PERFORMANCE DATA – HS=0 m

50 Hz



ABSORPTION

TYPE	VOLTAGE
Single-ph.	230 V
CKRm 90	5.7 A

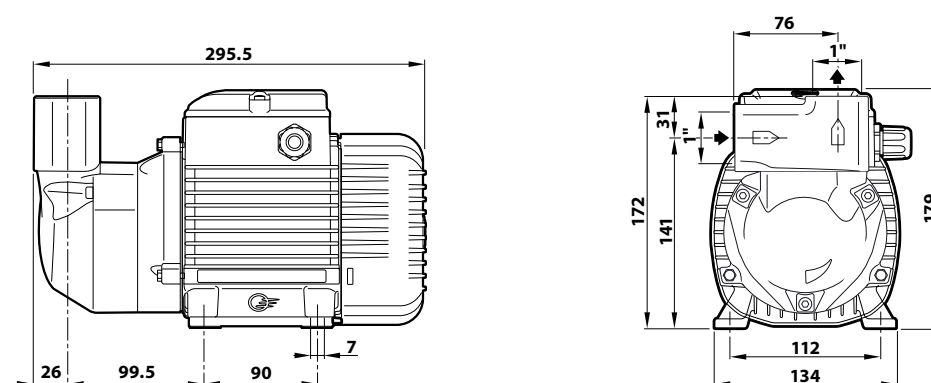
TYPE	VOLTAGE	
Three-ph.	230 V - Δ	400 V - Δ
CKR 90	4.0 A	2.3 A

TYPE		POWER (P ₂)		1~3~	Q	Flow rate Q												
Single-ph.	Three-ph.	kW	HP			m³/h	0	0.3	0.6	0.9	1.2	1.5	1.8	2.1	2.4	2.7	3.0	
CKRm 90	CKR 90	0.75	1	IE2 IE3	H metres	60	55	49.7	44.3	39	33.7	28.3	23	17.7	12.3	7		

Q = Flow rate H = Total manometric head HS = Suction height

Performance curves comply with EN ISO 9906 Grade 3B tolerance limits.

DIMENSIONS (mm)



TYPE		PORTS		WEIGHT (kg)		PALLET CAPACITY
Single-phase	Three-phase	DN1	DN2	1~	3~	
CKRm 90	CKR 90	1"	1"	12.0	12.0	119

CONSTRUCTION FEATURES

1 Pump body	Cast iron, with stainless-steel front shaving surface to prevent the impeller from locking due to oxidation. The pump body is equipped with ISO 228/1 threaded ports	
2 Motor bracket	Aluminium with brass cover with front anti-locking shim function (patented)	
3 Impeller	Bronze, star-type with open radial vanes	
4 Mechanical seal	Type	Materials
	AR-12V	Ceramic / Graphite / Viton
5 Shaft	Stainless steel AISI 431	
6 Electric motor	CKRm: single-phase 230 V - 50 Hz with winding integrated thermal motor protection CKR: three-phase 230/400 V - 50 Hz ※ Pumps are equipped with high-efficiency motors (IEC 60034-30-1) class IE2 for single-phase models class IE3 for three-phase models – Continuous running duty S1 – Insulation: class F – Protection rating: IP X4	

