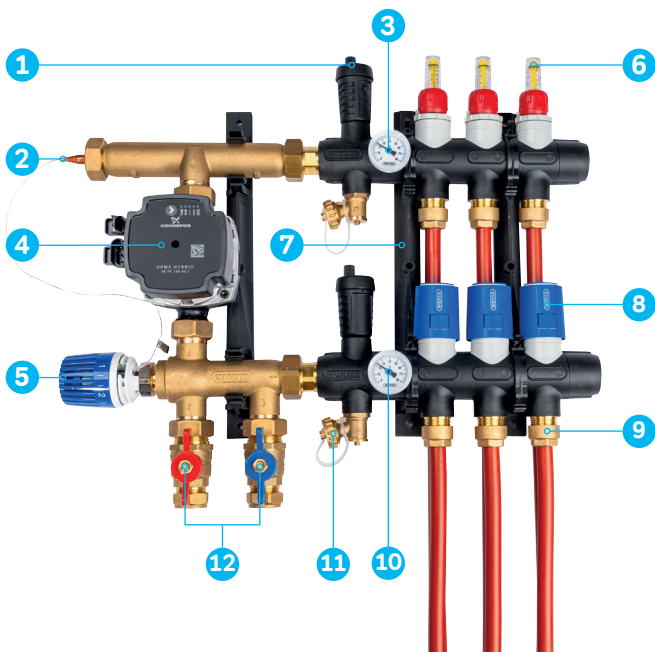


Wavin Composite Blending Manifold



System Construction

- | | |
|--------------------------------------|--|
| 1. Automatic air vent (AAV) | 8. Thermal actuator |
| 2. TMV temperature sensor | 9. Pipe connectors 16-20mm |
| 3. Flow temperature gauge | 10. Return temperature gauge (or optional combined pressure and temperature gauge) |
| 4. Circulating pump | 11. Fill and drain valve |
| 5. Thermostatic manifold valve (TMV) | 12. Isolating valves |
| 6. Flow rate indicator | |
| 7. Wall Mounting bracket | |

Composite manifolds utilise the most appropriate materials for the specific function they are intended. Therefore the body of the barrels is manufactured from Glass Fibre Reinforced Black Polyamide (GRBP). The material is not adversely affected by accidental contact with linseed oil sealing compounds and will be unaffected by soft, hard or aggressive water or inhibitors.

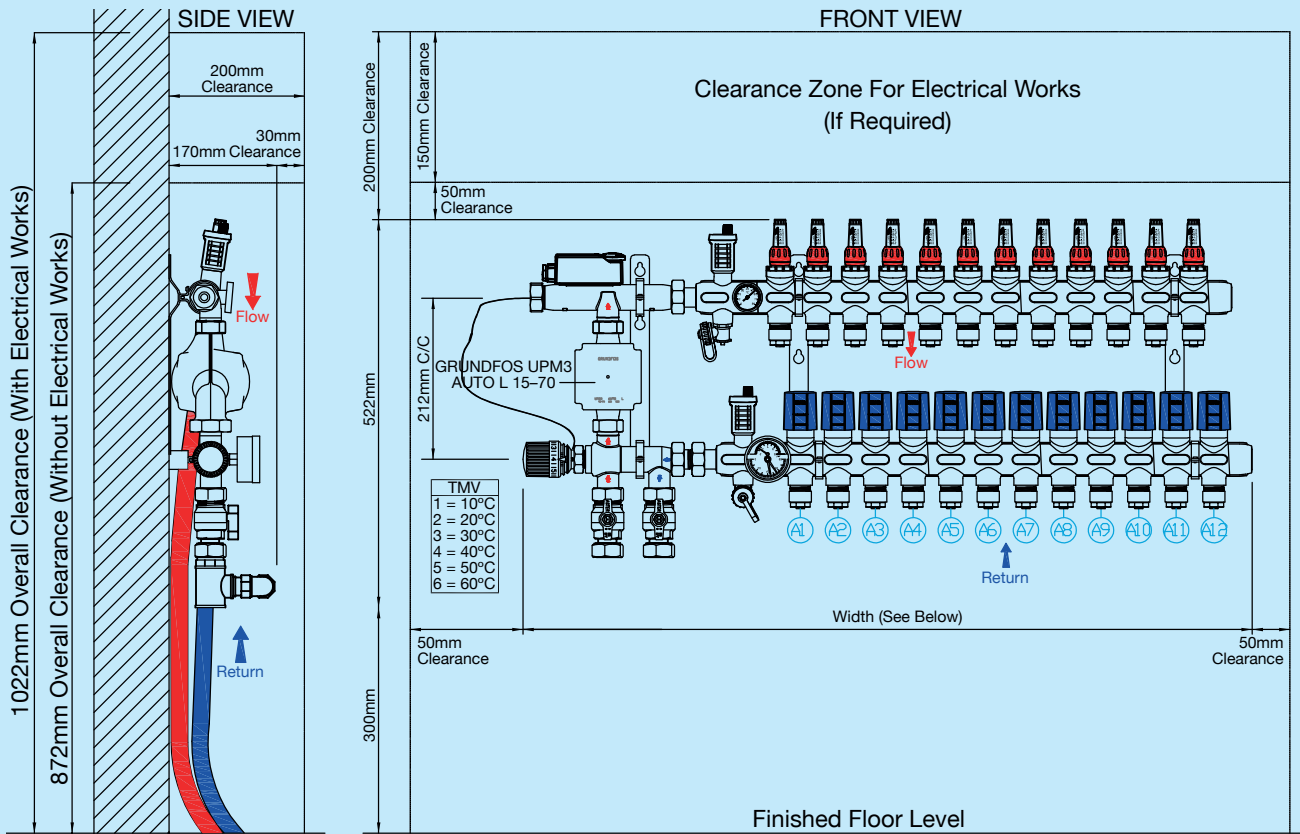
The circuit flow rate indicators are manufactured in ABS known for its wide use in plumbing materials and operating temperature range. Gauges are industry standard giving reliable and accurate readings. Sealing rings are manufactured from EPDM rubber, again used for long term secure durability. Industry standard brassware is used for compression connections for both 16mm and 20mm polybutylene pipe, drain cocks, AAV, blending valve assembly and pump connection. High grade stainless steel ball valves are used to isolate the manifold.

The sealed actuator units also allow safe operation when ports are serving circuits above the manifold.

The manifold has 1" flow and return primary connections which can be handed to suit specific requirements.

All configurations of our manifold have been tested rigorously by the British Board of Agreement (BBA CERT. 10-4738) this has resulted in the BBA certifying the manifold to a minimum life expectancy of 25 years under normal operating parameters, typically this is maximum temperature 70 °c and minimum 4°C. The maximum working pressure of the manifold is 4 bar.





Manifold Type Composite	COMPOSITE BLENDING MANIFOLD											
	No. of Ports	2	3	4	5	6	7	8	9	10	11	12
Height 590mm	Width in mm	470	520	570	620	670	720	770	820	870	920	970